

# THE LED FLOODLIGHT

Safety Instructions and Operation Manual

EXLED-10

EXLED-20



Thank you for purchasing our products. Please read carefully this instruction before using and operate strictly accordance with the instructions, and especially pay attention to "Important Safety Instructions".

## Application Area

- ◆ Generally matching in downlight, ceiling light, household lighting etc.
- ◆ Basic commercial lighting.
- ◆ Shopping lighting, specialty lighting, hotel lighting, office lighting, home lighting etc.
- ◆ Commercial show windows and bars, airport, subway, cloverleaf junction and architecture field.

## Specifications

- ◆ New type mould
- ◆ High efficiency
- ◆ Energy-saving
- ◆ Constant current
- ◆ Semiconductor
- ◆ Longer operating life (up to 50,000 hours)
- ◆ Stick area: 45x70mm

## Technique Specifications

EXLED-10

EXLED-20

- ◆ Input Voltage: 220V~240V
- ◆ Frequency coverage: 50~60HZ
- ◆ Power: 30W
- ◆ Power: 60W
- ◆ Power Factor:  $\geq 0.98$
- ◆ CCT: 3000~3300K
- ◆ IP Protection: IP65

## Important Safety Instructions

When using electrical appliances, basic safety precaution should always be followed to reduce the risk of fire, electric shock ,or injury to persons, etc.

- ◆ Keep out of reach children. In order to keep children from the dangers of electrical appliances, never leave them unsupervised with the machine. Consequently, when selecting the location for your machine, do so in such a way that children do not have access to the Machine. Children being supervised not to play with the appliance.
- ◆ The appliance must only be mounted by an authorized specialist, paying attention to the relevant regulations of the power supply companies and the regional construction regulations.
- ◆ The appliance shall not be used in building sites.

# Precautions for use

- ◆ The light had better to be used under environmental temperature, better no lower than -30 degree, no higher than 55 degree.
- ◆ The light had better to be used in ventilated environments, not in an enclosed area, and prohibited in high corrosion strength circumstances.
- ◆ When find the light is abnormal, like twinkle, very dark, not light etc., please firstly invite professionals to check if the wiring of the light is good, or feedback to our company service directly.
- ◆ High placement of lights shall be fastened or locked well to prevent the occurrence of safety accidents.

# Operation Instruction

## INSTALLATION DIRECION:

BEFORE ATTEMPTING TO INSTALL UNITS, ENSURE POWER IS OFF, AND PLEASE PAY ATTENTION TO FOLLOWING SETPS:

1. **MOUNTING PASITION:** THE LED LIGHT CAN BE USED ON ALL SORTS OF PIPES, AS WELL AS ON SOME UMBRELLA, TENT EQUIPMENT ETC. (Fig.1)
2. **FIXED THE LAMP ON THE PIPE,** DIAMETRE OF  $\Phi 30$  TO  $\Phi 53$ , AND TIGHTENED THE **M8** SCREW. (Fig.2)
3. **CONNECT THE MAINS WIRES.** (Fig.3)
4. **PLS READ CAREFULLY**

◆ BOEORE INSTALLAION AND PRESERVEIT WELL. MUST BE INSTALLED AND ASSEMBLED BY A QUALIFIED ELECTRICIAN.

◆ BEFORE ATTEMPTING TO INSTALL UNITS, ENSURE POWER IS OFF, AND PLEASE PAY ATTENTION TO FOLLOWING SETPS.

### ◆ LAMP TUBE FITTING (Fig.4)

UNSCREW THE BOLT AND OPEN THE GLASS HOLDER AFTER 30 MINUTES COOLING. THEN FITTING TUBE INTO LAMP SOCKET. THEN KEEP THE WATERPROOF RUBBER PAD IN ORIGINAL

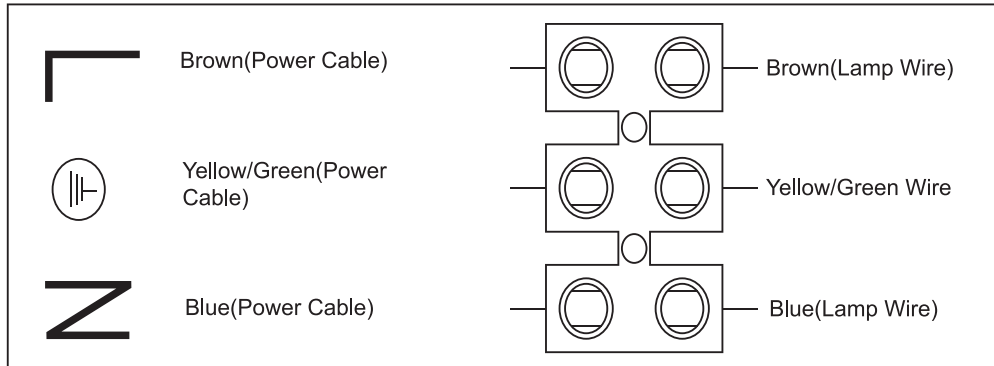
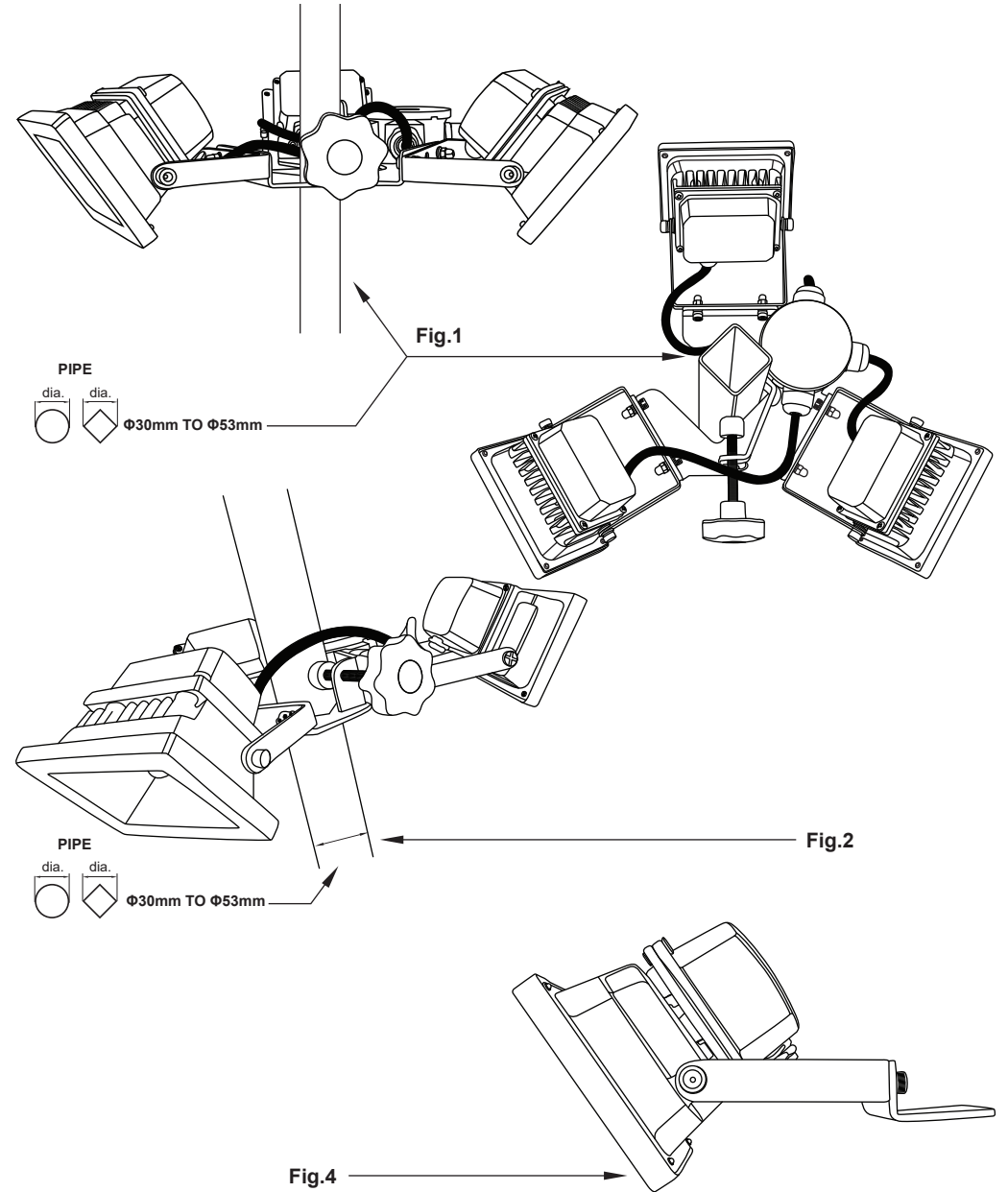


Fig.3




## Cleaning and Maintenance

- ◆ This appliance is consist of a robust and maintenance-free aluminum casing with a protection Cover. No user serviceable parts inside.
- ◆ Before cleaning, remove the plug from the power outlet and wait until the appliance is sufficiently cooled off.
- ◆ Wipe the appliance only with clean and lint-free cloth or a soft brush.
- ◆ The alcohol can be used to clean the appliance. When cleaning the reflector, please contact with the service agent or a suitable qualified electrician if the reflector needs to be removed.
- ◆ To protect against electrical shock and danger of life, do not immerse cord, plug, or any part of the appliance in water or other liquid.
- ◆ For heating element replacement, please contact the manufacturer or its service agent or a similarly qualified person.

## Storage

- ◆ Do not route cord when heater storage, or heater is not in use.

## Disposal

| Correct Disposal of this product  |  |
|---|--|
|  | This marking indicates that this product should not be disposed with other household wastes throughout the EU. To prevent possible harm to the environment or human health from uncontrolled waste disposal, recycle it responsibly to promote the sustainable reuse of material resources. To return your used device, please use the return and collection systems or contact the retailer where the product was purchased. They can take this product for environmental safe recycling. |

## Customer Service

- ◆ Repairs must be carries out by authorized specialists, thus enduring electrical safety. Please contact with the service agent or a suitably qualified electrician.
- ◆ Improper repairs could lead to danger to the user.
- ◆ This warranty does not cover damage of failure which results from alteration, accident, misuse, abuse, neglect, commercial use or improper maintenance.
- ◆ In line with our policy of continuous product development we reserve the right to change the product and documentation specifications without notice.